



GLASSWASHER UX-40 ISO

Rack size 400x400mm and door clearance 300 mm. Double-skinned construction.



WARE WASHING
COMMERCIAL GLASSWASHERS



- ✓ Keeps the washing water in optimal conditions to maintain constant washing performance.
- ✓ The surface filters feature an “easy-on” design and can be quickly removed without having to disconnect the washing arms.

“Easy grip” door: new design with integrated door handle

- ✓ The integration of the components provides greater resistance and robustness.
- ✓ Designed to have no corners or areas that are difficult to access: prevents deposits of dirt and facilitates cleaning.
- ✓ Its ergonomic handle provides a perfect grip, even with wet hands.
- ✓ Double-walled door with safety microswitch and high quality seal
- ✓ 30 cm load capacity: high versatility for washing a wide range of glasses and even medium-sized dishes.

Premium warewashing

- ✓ Ultra Xperience: high performance, without complications.
- ✓ Soft start: progressive start-up of the washing pump to protect fragile items.
- ✓ Colour LCD Display: intuitive communication of the machine status by means of messages, colour codes and icons.
- ✓ Dedicated cycles: selection of the ideal washing programme using icons.
- ✓ Adaptable: allows the main parameters of the machine to be adjusted to the needs of each user.
- ✓ TEMPERATURE DISPLAY
- ✓ Wash Plus+ function: increases the intensity of the wash cycle for greater cleaning performance
- ✓ Control panel with IP65 humidity protection.

You will never WASH ALONE

- ✓ Tech-Services: our team of technicians will help you so that your machine is always ready for use.
- ✓ Design Services: tell us what your needs are and we will advise you.
- ✓ 60 years of experience and know-how at your disposal.

SALES DESCRIPTION

Sani-Control: guaranteed disinfection
 Embedded bodywork and easy-grip door: hygienic and ergonomic
 Double-walled body: insulation and energy efficiency
 Exclusive Hydroblade™ washing arms: maximum effectiveness.
 3-stage filtering system.

Sani-Control guarantee

- ✓ GUARANTEED DISINFECTION in compliance with standard DIN 10534.
- ✓ THERMAL LOCK function: Ensures that rinsing will be carried out at the ideal temperature to disinfect the dishes.

New recessed bodywork

- ✓ Ergonomic design with rounded corners to prevent the accumulation of dirt and facilitate cleaning.
- ✓ Compact tank volume (50% water saving compared to the previous range).
- ✓ Embedded basket guides

Double-Walled (Ultra ISO)

- ✓ Double-Walled Structure: thermo-acoustic insulation to attenuate the sound level and improve energy efficiency

Hydroblade™ washing arms

- ✓ Redesigned nozzles for greater washing performance.
- ✓ The “monoblock” design delivers durability and resistance to impacts.
- ✓ 30% savings in water consumption during rinsing compared to the previous range.

3-stage filter system: surface, tank and extraction

INCLUDES

- ✓ Rinse aid pump.
- ✓ 1 glasses basket.
- ✓ 1 mixed basket (plates).
- ✓ 1 small basket for cutlery.

OPTIONAL

- Detergent dosing kit.
- Drainage pump with level sensor. Proactive tank water renewal.
- Manual resin regeneration water softener.
- Double-level accessory for washing two baskets at the same time.

ACCESSORIES

- Manual water softeners
- Automatic water softeners
- 400 x 400 mm baskets
- Inserts & supplements
- High feet kit
- Reverse osmosis devices
- OS-140
- Dosing equipments front AX / UX glass- and undercounter dishwashers
- Stand for 400x400 mm glasswashers
- Double rack kits for AX/UX

SPECIFICATIONS

Basket dimensions: 400 mm x 400 mm
 Useful height: 300 mm

Cycle duration: 90 / 120 / 150 / 180”
 Production baskets / hour: 40 / 30 / 24 / 20

Boiler capacity: 4.5 l
 Wash tank capacity: 9 l



product sheet
updated 20/01/2024



GLASSWASHER UX-40 ISO

Rack size 400x400mm and door clearance 300 mm. Double-skinned construction.



WARE WASHING
COMMERCIAL GLASSWASHERS

Consumption and savings

Water consumption/cycle: 1.9 l
Automatic saving mode in: 25'
Automatic switch-off: 120'

Loading

- ✓ Pump: 250 W / 0.33 Hp
- ✓ Tank: 1200 W
- ✓ Boiler: 2800 W
- ✓ Total loading: 2750 W

External dimensions (W x D x H)

- ✓ Width: 490 mm
 - ✓ Depth: 540 mm
 - ✓ Height: 710 mm
- Net weight: 40 kg

Noise level (1m.): <69 dB(A)

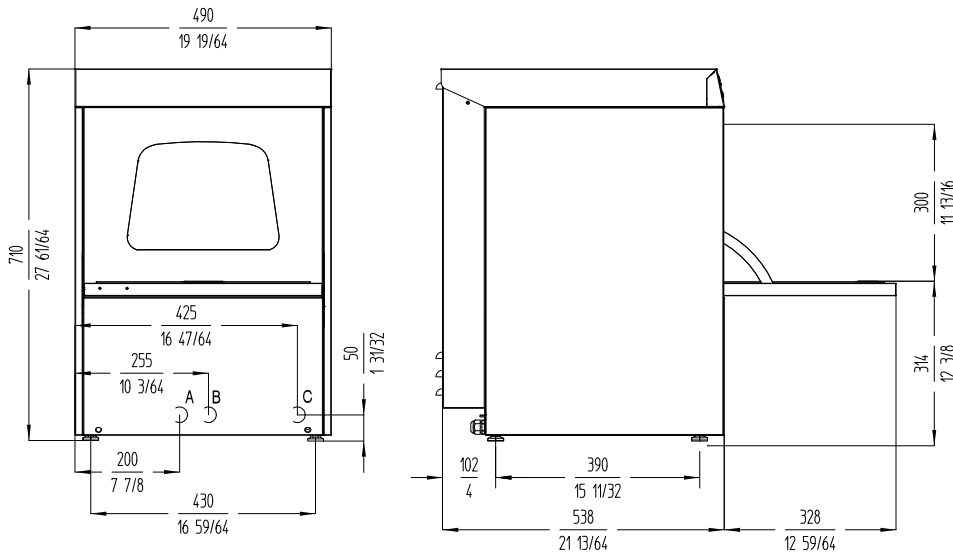
Crated dimensions

525 x 615 x 820 mm
Gross weight: 46 kg

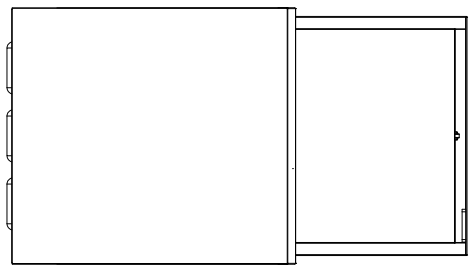
AVAILABLE MODELS

1303130	UX-40S 230/50/1
1303131	UX-40S 220/60/1
1303134	UX-40SB 230/50/1
1303138	UX-40SD 230/50/1
1303142	UX-40SBD 230/50/1
1303143	Glasswasher UX-40SBD 220/60/1

* Ask for special versions availability



A: Entrada de agua 3/4" GAS.
B: Tubo de desague Ø30 mm.
C: Cable conexión



sammic | www.sammic.com
Food Service Equipment Manufacturer

Polígono Basarte, 1. phone +34 943 15 72 36
20720 Azkoitia, Spain sales@sammic.com



Project	Date
Item	Qty
Approved	

product sheet
updated 20/01/2024