



HAND BLENDER XM-32

Professional immersion blender. 400 W.



DYNAMIC PREPARATION
COMMERCIAL HAND BLENDERS

SALES DESCRIPTION

- ✓ Fixed speed motor block.
- ✓ 366 mm detachable arm.
- ✓ Designed for continuous use in recipients of up to 45 l.

All-in-one

- ✓ Professional hand blender designed for carrying out different preparations without the need for add-on tools.
- ✓ Professional Y-blade, made from tempered steel and with a long-duration cutting edge.
- ✓ Fixed speed.
- ✓ Designed to work in recipients of up to 45 litres.

Maximum comfort for the user

- ✓ Compact design: logical and manageable size.
- ✓ Ergo-design & bi-mat-grip: external casing made in two materials for an ergonomic hold. Anti-slip grip. Optimum inclination of handle, minimising fatigue.
- ✓ Click-on-arm: detachable arm with fast and secure closure.
- ✓ Hood designed to avoid splashes.
- ✓ Intuitive use: very simple operation. LED warning light in two colours to indicate the status of the machine.
- ✓ Possibility of continuous operation.

Built to last

- ✓ Professional performance: capable of carrying out prolonged work without the casing overheating.
- ✓ Life-plus: equipped with a motor which has passed all of the most demanding usage tests.
- ✓ Studied geometry: casing designed to avoid rolling and falling.
- ✓ Easy to clean: detachable arm, can be cleaned under the tap.
- ✓ Approved by NSF: guaranteed safety and hygiene.

INCLUDES

- ✓ Fixed speed motor block.
- ✓ MA-32 mixer arm.
- ✓ Wall mount.

OPTIONAL

- MA-31 mixer arm.
- MA-33 mixer arm.
- "Quick fix" clamp.
- Clamp sliding frame.

ACCESSORIES

- Clamp sliding frame
- Bowl clamp
- Motor unit MM-30
- Mixer arms MA-30
- "Quick fix" bowl clamp

SPECIFICATIONS

Total loading: 400 W
 Maximum recipient capacity: 45 l
 Maximum working depth: 247.3 mm
 Motor speed: 12000 rpm
 Blade diameter: 55 mm
 Blade guard diameter: 92.2 mm

Length

Liquidising arm length: 366 mm
 Total length: 674 mm
 Net weight: 3.56 kg
 Noise level (1m.): <80 dB(A)

Crated dimensions

455 x 475 x 117 mm
 Gross weight: 4.55 kg

AVAILABLE MODELS

3030674 Immersion blender XM-32 230/50-60/1

* Ask for special versions availability



product sheet
updated 20/01/2024

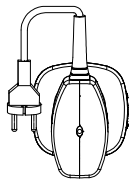
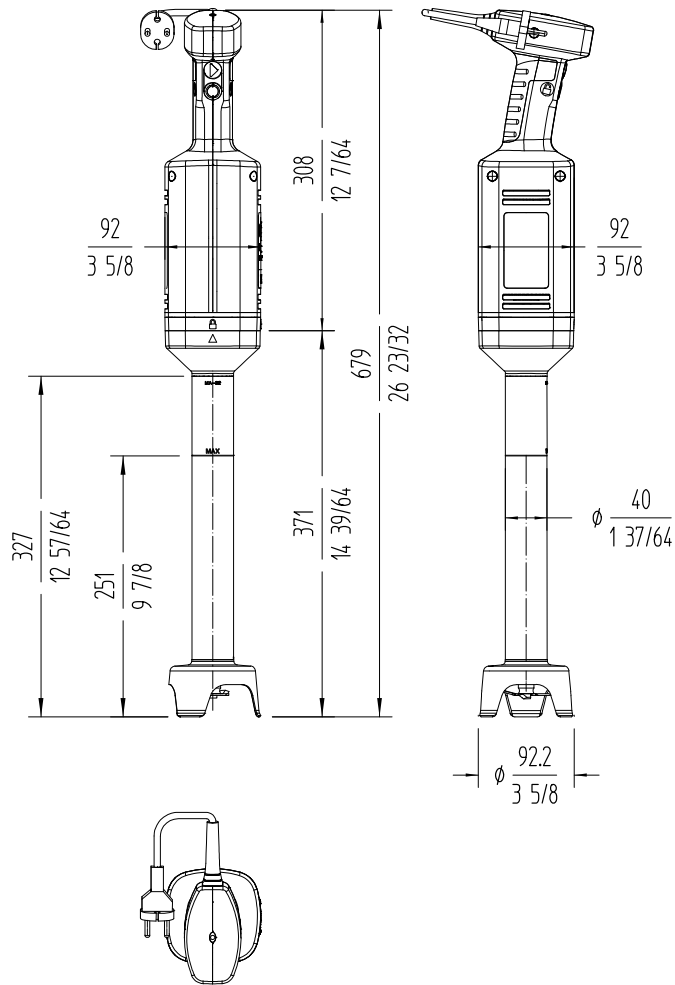


HAND BLENDER XM-32

Professional immersion blender. 400 W.



DYNAMIC PREPARATION
COMMERCIAL HAND BLENDERS



sammic | www.sammic.com
Food Service Equipment Manufacturer

Polígono Basarte, 1.
20720 Azkoitia, Spain

phone +34 943 15 72 36
sales@sammic.com



Project	Date
Item	Qty
Approved	

product sheet
updated 20/01/2024