



# BLENDER B-50

Professional beater. 570 W.



DYNAMIC PREPARATION  
COMMERCIAL HAND BLENDERS

## OPTIONAL

- MA-52 mixer arm.
- MA-51 mixer arm.
- "Quick fix" clamp.
- Clamp sliding frame.

## ACCESSORIES

- Motor unit MM-50V

## SPECIFICATIONS

Total loading: 570 W  
 Motor speed: 200 - 1500 rpm  
 Capacity (egg whites): 2 - 80

### Length

Revolving arm length: 405 mm  
 Total length (with revolving arm): 746 mm

Net weight: 4.41 kg  
 Noise level (1m.): <80 dB(A)

### Crated dimensions

575 x 455 x 130 mm  
 Gross weight: 5.1 kg

## AVAILABLE MODELS

3030693 Whisk B-50 230/50-60/1

\* Ask for special versions availability

## SALES DESCRIPTION

- ✓ Variable speed motor block.
- ✓ Whisk with capacity for 2 to 80 egg whites.

### Professional performance

- ✓ Vario-speed: variable speed.
- ✓ Beater with capacity for 2 to 80 egg whites.

### Maximum comfort for the user

- ✓ Logical and manageable size.
- ✓ Ergo-design & bi-mat-grip: external casing made in two materials for an ergonomic hold. Anti-slip grip. Optimum inclination of handle, minimising fatigue.
- ✓ Click-on-arm: detachable arm with fast and secure closure.
- ✓ Intuitive use: very simple operation. LED warning light in two colours to indicate the status of the machine.
- ✓ Possibility of continuous operation.

### Built to last

- ✓ Professional performance: capable of carrying out prolonged work without the casing overheating.
- ✓ Life-plus: equipped with a motor which has passed all of the most demanding usage tests.
- ✓ Studied geometry: casing designed to avoid rolling and falling.
- ✓ Easy to clean: detachable arm, can be cleaned under the tap.
- ✓ Approved by NSF: guaranteed safety and hygiene.

## INCLUDES

- ✓ Variable speed motor block.
- ✓ Whisk BA-50.
- ✓ Wall mount.



product sheet  
updated 20/01/2024

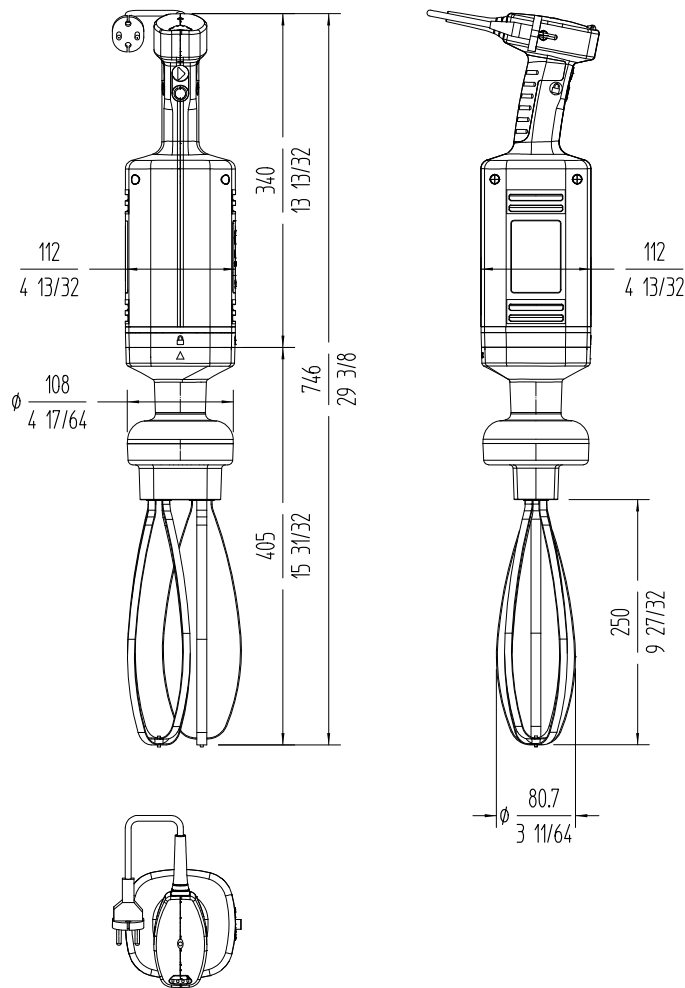


# BLENDER B-50

Professional beater. 570 W.



DYNAMIC PREPARATION  
COMMERCIAL HAND BLENDERS



**sammic** | [www.sammic.com](http://www.sammic.com)  
Food Service Equipment Manufacturer

Polígono Basarte, 1. phone +34 943 15 72 36  
20720 Azkoitia, Spain [sales@sammic.com](mailto:sales@sammic.com)



Project	Date
Item	Qty
Approved	

product sheet  
updated 20/01/2024