



# VACUUM SEALER SE-306

Tabletop model. 6 m<sup>3</sup>/h. 320 mm.



## SALES DESCRIPTION

320 mm. sealing bar.  
6 m<sup>3</sup>/h Busch vacuum pump.  
Vacuum controlled by sensor.

## FEATURES AND BENEFITS

- ✓ Powered by Busch.
- ✓ Vacuum controlled by sensor.
- ✓ Vacuum PLUS.
- ✓ Digital keyboard.
- ✓ Control panel equipped with display indicating the exact vacuum percentage.
- ✓ "Pause" button to marinate food.
- ✓ Safe liquid packing thanks to sensor control.
- ✓ Double seal.
- ✓ Cordless sealing bar.
- ✓ Bag-sealing programme.
- ✓ Pulse-controlled decompression.
- ✓ Vac-Norm ready with Automatic decompression.
- ✓ Stainless steel body and chamber. Deep-drawn chamber.
- ✓ Damped transparent lid of highly durable polycarbonate.
- ✓ Dry-oil programme for drying the pump.
- ✓ Working hours counter for oil changes.
- ✓ Safety system with protection against vacuum failure.
- ✓ NSF-listed model.

## INCLUDES

- ✓ Sensor Controls
- ✓ Up to 10 seconds of extra vacuum pull
- ✓ Soft air function
- ✓ Dry oil cycle
- ✓ BUSCH pump
- ✓ NSF Approved
- ✓ Clear methacrylate lid
- ✓ Filling plate

## ACCESSORIES

- Filling plates
- Liquid insert plates
- Vac-norm external vacuum kits
- Vac-norm containers
- Smooth bags for vacuum packing



**sammic** | [www.sammic.com](http://www.sammic.com)  
Food Service Equipment Manufacturer

Polígono Basarte, 1. phone +34 943 15 72 36  
20720 Azkoitia, Spain [sales@sammic.com](mailto:sales@sammic.com)



Project	Date
Item	Qty
Approved	

FOOD PRESERVATION AND SOUS-VIDE  
VACUUM PACKING MACHINES - "SENSOR" LINE

product sheet  
updated 25/02/2019



# VACUUM SEALER SE-306

Tabletop model. 6 m<sup>3</sup>/h. 320 mm.



## SPECIFICATIONS

Pump capacity: 6 m<sup>3</sup>/h

Bar length: 320 mm

Total loading: 370 W

Vacuum pressure (maximum): 2 mbar

### Internal dimensions

✓ Width: 330 mm

✓ Depth: 360 mm

✓ Height: 155 mm

### External dimensions (WxDxH)

✓ Width: 384 mm

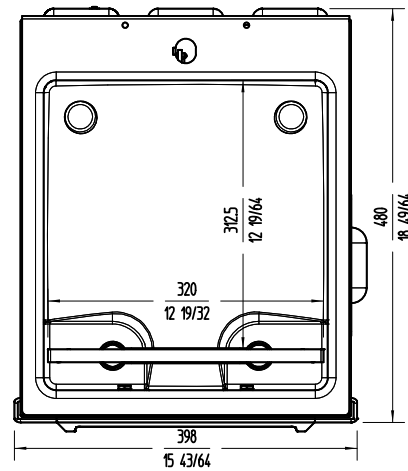
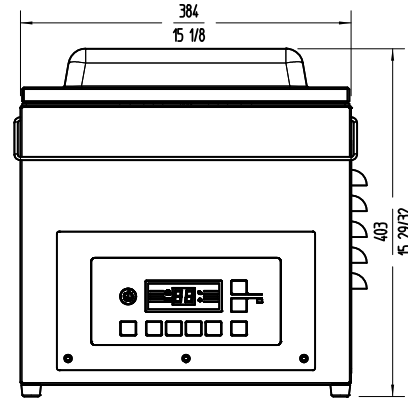
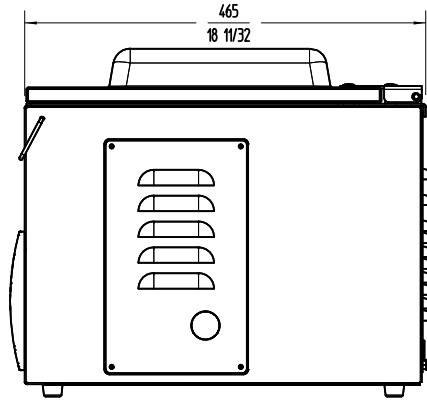
✓ Depth: 465 mm

✓ Height: 405 mm

Net weight: 34 Kg

Noise level (1m.): 75 dB(A)

Background noise: 32 dB(A)



## AVAILABLE MODELS

1140626 Vacuum packing machine SE-306 230/50-60/1

\* Ask for special versions availability

**sammic** | [www.sammic.com](http://www.sammic.com)  
Food Service Equipment Manufacturer

Polígono Basarte, 1. phone +34 943 15 72 36  
20720 Azkoitia, Spain [sales@sammic.com](mailto:sales@sammic.com)



Project

Date

Item

Qty

Approved

product sheet  
updated 25/02/2019

FOOD PRESERVATION AND SOUS-VIDE  
VACUUM PACKING MACHINES - "SENSOR" LINE