



GLASSWASHER GP-50

Rack size 500 mm x 500 mm and door clearance 260 mm.



WARE WASHING
COMMERCIAL GLASSWASHER • GLASS-PRO LINE

OPTIONAL

- Detergent dosing kit. water renewal by the principle of density.
- Overflow drainage pump. Tank

ACCESSORIES

- Manual water softeners
- Automatic water softeners
- 500 x 500 mm baskets
- Inserts & supplements
- High feet kit
- Reverse osmosis devices OS-140
- Detergent dosing equipment for GP glasswashers

SPECIFICATIONS

Basket dimensions: 500 mm x 500 mm
Useful height: 260 mm

Cycle duration: 120 / 150"
Production baskets / hour: 30 / 24

Boiler capacity: 4.5 l
Wash tank capacity: 23 l
Water consumption/cycle: 2.7 l

Loading

- ✓ Pump: 550 W / 0.75 Hp
- ✓ Tank: 1800 W
- ✓ Boiler: 2800 W
- ✓ Total loading: 3350 W

External dimensions (W x D x H)

- ✓ Width: 580 mm
 - ✓ Depth: 630 mm
 - ✓ Height: 710 mm
- Net weight: 55 kg

AVAILABLE MODELS

1303160 GP-50 230/50/1

1303161 GP-50 220/60/1

1303165 GP-50B 230/50/1

1303166 GP-50B 220/60/1

* Ask for special versions availability

SALES DESCRIPTION

Sani-Control guarantee

- ✓ GUARANTEED DISINFECTION in compliance with standard DIN 10534.
- ✓ THERMAL LOCK function: Ensures that rinsing will be carried out at the ideal temperature to disinfect the dishes.
- ✓ Upper and lower washing.
- ✓ Construction in stainless steel AISI 304 2B.
- ✓ Interior with rounded finishes to prevent the accumulation of dirt.

Double filter system

- ✓ Maximum protection of the washing pump.

Double-walled door

- ✓ Double-walled door, safety microswitch and high quality seal: perfectly soundproof and watertight.

Warewashing, made simple

- ✓ GP Xperience: simple and intuitive use.
- ✓ Dedicated cycles: selection of the ideal washing programme using icons.
- ✓ Electronic control panel with IP65 humidity protection.
- ✓ 100% Tested.

Tech-friendly

- ✓ Tool-free extraction of diffusers and filters for maintenance and cleaning
- ✓ Easy access to components for repair.

INCLUDES

- ✓ Rinse aid pump.
- ✓ 1 glasses basket.
- ✓ 1 mixed basket (plates).
- ✓ 1 small basket for cutlery.



product sheet
updated 30/01/2024

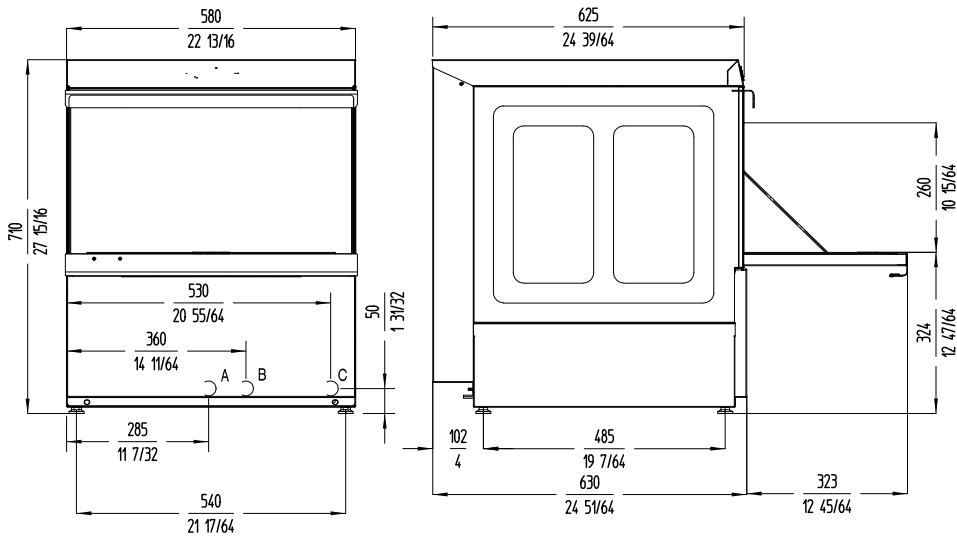


GLASSWASHER GP-50

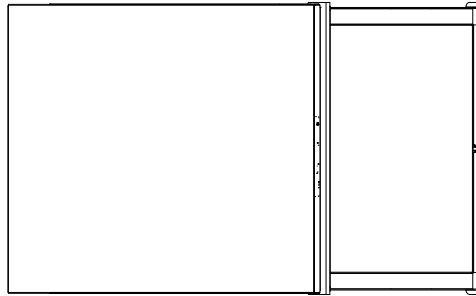
Rack size 500 mm x 500 mm and door clearance 260 mm.



WARE WASHING
COMMERCIAL GLASSWASHER · GLASS-PRO LINE



A: Entrada de agua 3/4" GAS.
 B: Tubo de desague Ø30 mm.
 C: Cable conexión.



sammic | www.sammic.com
 Food Service Equipment Manufacturer

Polígono Basarte, 1. phone +34 943 15 72 36
 20720 Azkoitia, Spain sales@sammic.com



Project	Date
Item	Qty

Approved

product sheet
updated 30/01/2024